

WRC4 Discrete I/O Family

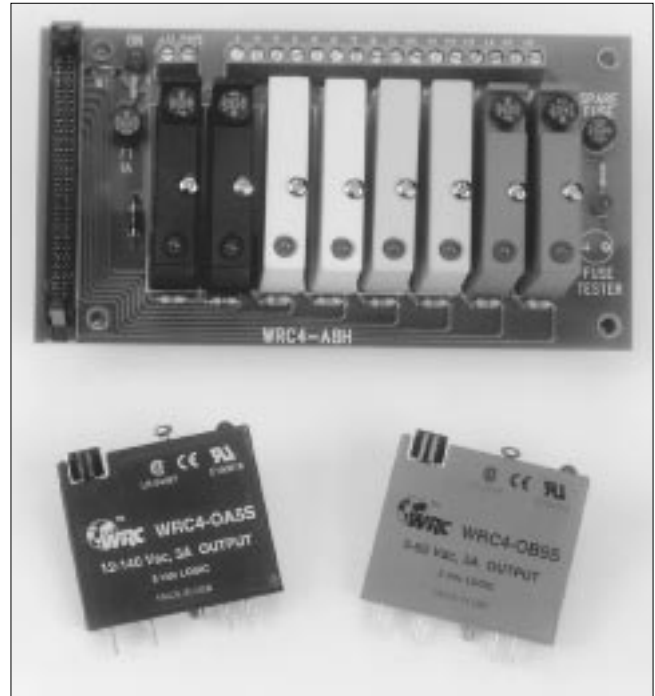
INTRODUCTION

WRC4 Series Discrete I/O expands WRC's complete line of discrete I/O modules. These modules provide an indication LED and replaceable fuse. They also meet an industry de facto standard pin-out.

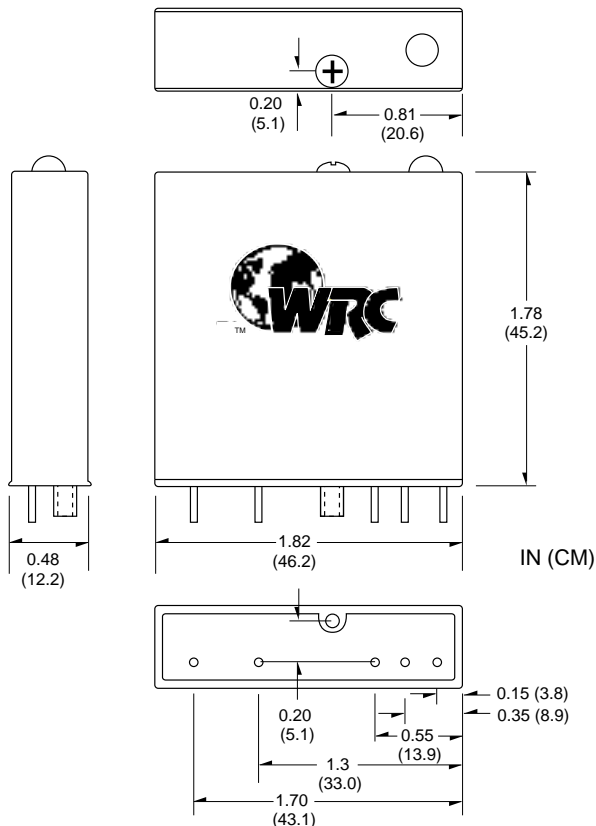
The WRC4 package offers the following advantages:

- Status LED is more easily visible
- Fuse can be tested and replaced without removing the modules
- Fuse is a popular CE-rated fuse
- Popular Euro-style fuse has multiple sources
- Matches the industry de facto standard footprint
- Low height convenient for mounting
- Compact footprint continues to save space
- Compatible with WRC's line of SmartMux, SmartPMux and data acquisition cards
- UL, CSA and CE marks standard
- 5, 15 and 24 volt logic available
- Proven reliable circuitry

Nine mounting boards are available with spare fuse, power-on LED and fuse test circuit.



WRC4 input modules



WRC4 output modules

